



IN THE AIR,  
BY YOUR SIDE,  
WE ALWAYS  
INNOVATE

# ALUMINUM FANS

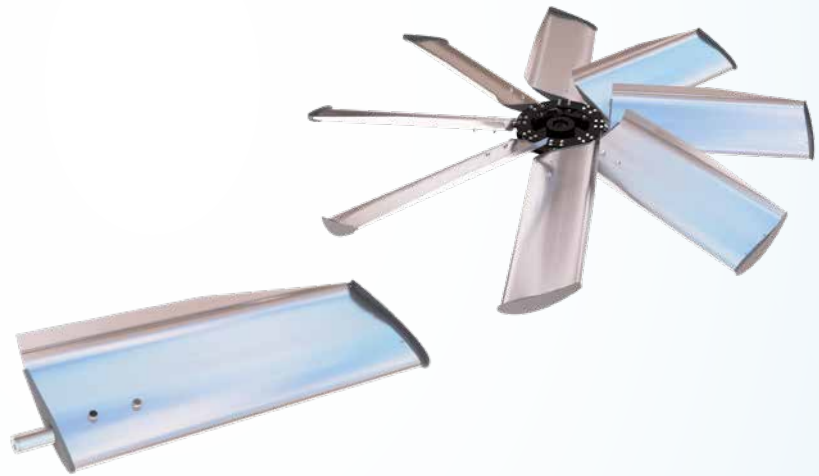


The use of aluminum in smaller cooling tower fans makes this model very attractive, especially due to its low cost and good performance.

Strength, local inventory, speedy delivery and after-sales support are the unique features that allow this model to stand out in global marketplace.

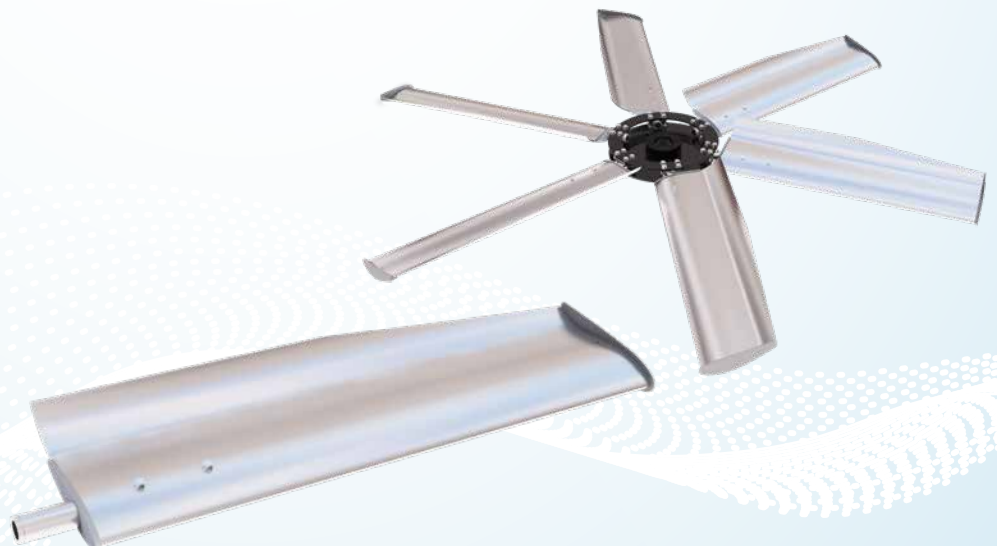
## FAS360 *FanTR Aluminum Standard*

It is a lightweight fan with excellent strength and durability. It supports different application environments and is manufactured on a large scale, making them available with short lead time.



## FAS490 *FanTR Aluminum Low Sound*

Using the same development philosophy as the TEP composite fan, the FAS490 has a longer chord than the standard aluminum version, which allows the fan to work at lower speeds, providing lower sound.



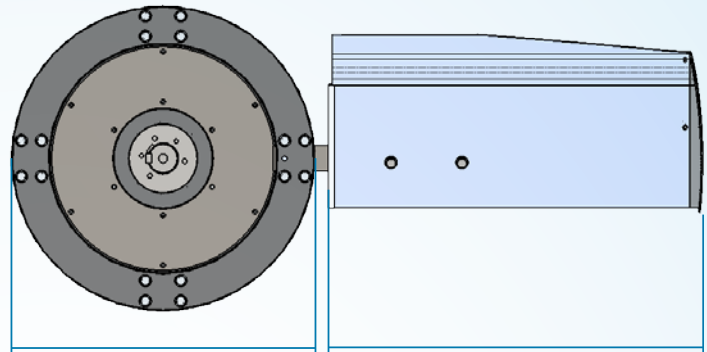
# TECHNICAL OPERATION DATA



FanTR Nomenclature	Blade aerodynamic profile	inches	mm		m/s		kg	mm			mm			
		Fan	Diameter	max rpm	Tip speed	Numbers of blades	Weight	Blade length	Cubo	Taper bushing	Shaft hole diameter	Coupling flange		
FAS 360 60 - 4	FAS360	60	1524	725	61	4	55	387	Ø 600mm	Q2	54 - 66.7 mm 2"1/8 - 2"5/8	Ø 160mm		
FAS 360 63 - 4		63	1600	737	62	4	56	433						
FAS 360 66 - 8		66	1676	-	-	8	83	471						
FAS 360 66 - 6						6	70							
FAS 360 72 - 4		72	1829	668	56	4	59	548						
FAS 360 74 - 4		74	1880	600	59	624	61	4					59	573
FAS 360 74 - 5						5	66							
FAS 360 74 - 6						6	73							
FAS 360 74 - 7						7	80							
FAS 360 80 - 4		80	2032	578	48	4	63	656						
FAS 360 80 - 5						5	71							
FAS 360 84 - 4		84	2134	552	62	4	64	707						
FAS 360 84 - 5						5	72							
FAS 360 88 - 3		88	2235	500	56	3	57	758						
FAS 360 88 - 4						4	65							
FAS 360 92 - 4		92	2337	504	62	4	66	809						
FAS 360 92 - 5						5	74							
FAS 360 96 - 4		96	2438	490	60	4	67	860						
FAS 360 96 - 5						5	75							
FAS 360 96 - 6						6	84							
FAS 360 96 - 7						7	92							
FAS 360 96 - 8						8	100							
FAS 360 108 - 5		108	2743	433	62	5	80	1012						
FAS 360 108 - 6						6	88							
FAS 360 120 - 5		120	3048	386	55	5	86	1164						
FAS 360 120 - 6						6	95							
FAS 360 129 - 6		129	3277	370	31	6	102	1288						
FAS 360 129 - 7						7	112							
FAS 360 132 - 5		132	3353	370	65	5	90	1326						
FAS 360 132 - 6						6	103							
FAS 360 132 - 7	7					114								
FAS 360 140 - 4	140	3556	320	56	4	81	1430							
FAS 360 140 - 5					5	92								
FAS 490 156 - 5	FAS490	156	3962	292	61	5	154	1447	Ø 950 mm	R1	28.6 - 71.4 mm 1"1/8 - 2"13/16	Ø 195 mm		
FAS 490 156 - 6						6	180							
FAS 490 156 - 7						7	196							
FAS 490 156 - 8						8	211							

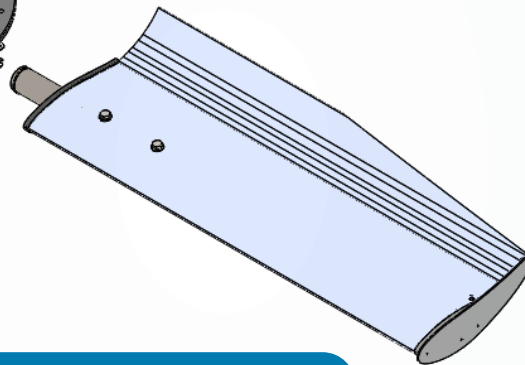
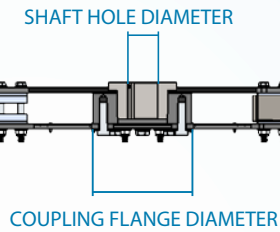
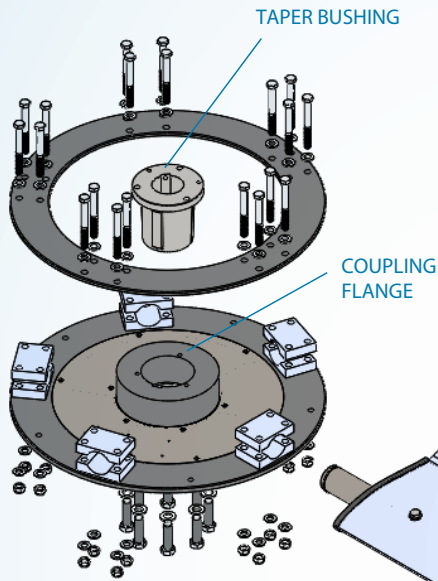
# ITEM DETAILS

DIRECTION OF ROTATION

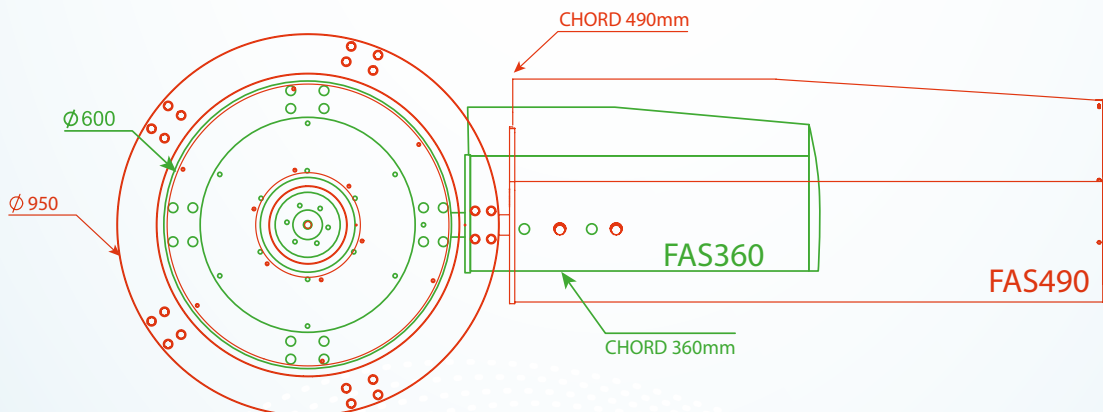


COUPLING FLANGE DIAMETER

BLADE LENGTH



# COMPARISON BETWEEN MODELS



Rod. Waldomiro Corrêa de Camargo, km 53,7  
Itu/SP | Brasil | +55 (11) 4025-1670

[www.fantr.com](http://www.fantr.com)